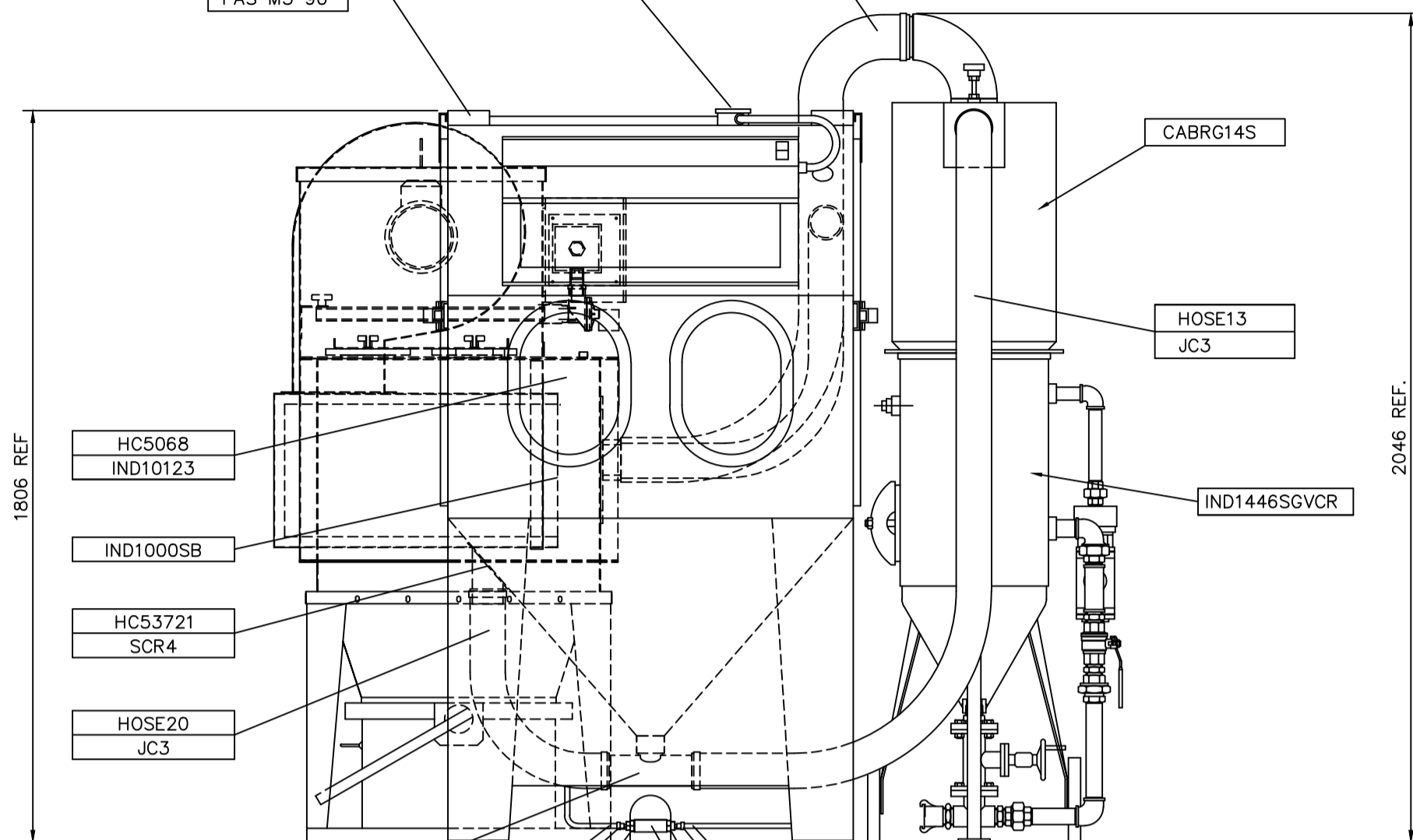


- IND10134
- IND10151
- FAS M5 13
- FAS M5 20
- FAS M5 80
- FAS M5 90

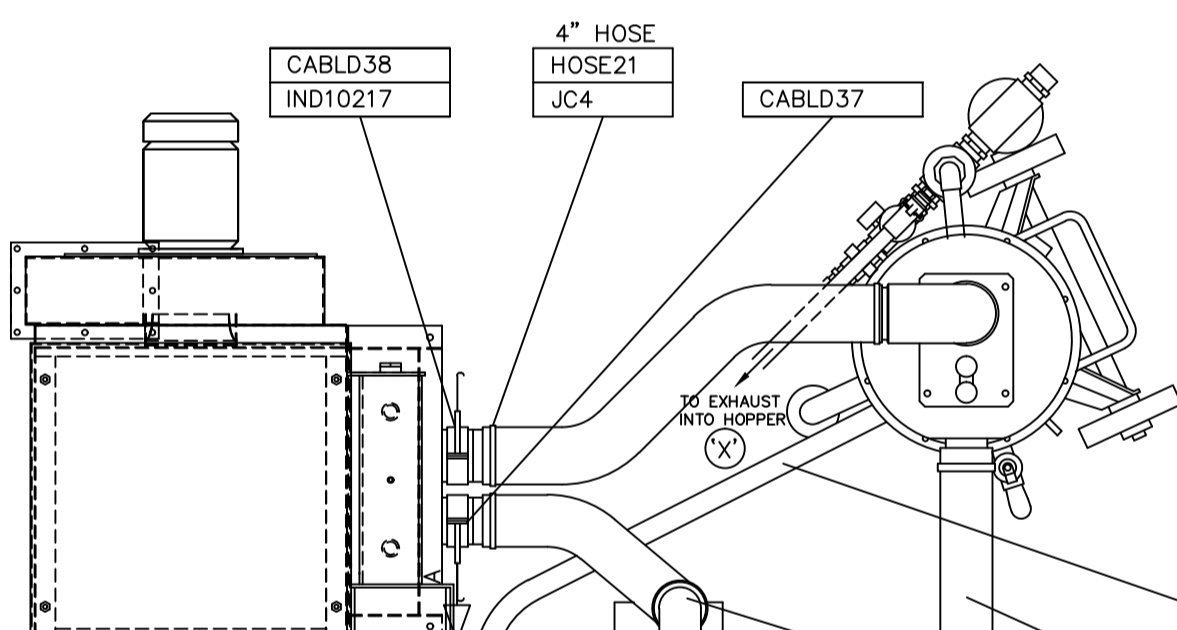
- IND10189
- IND10087
- IND10168AL

- HOSE21
- JC4

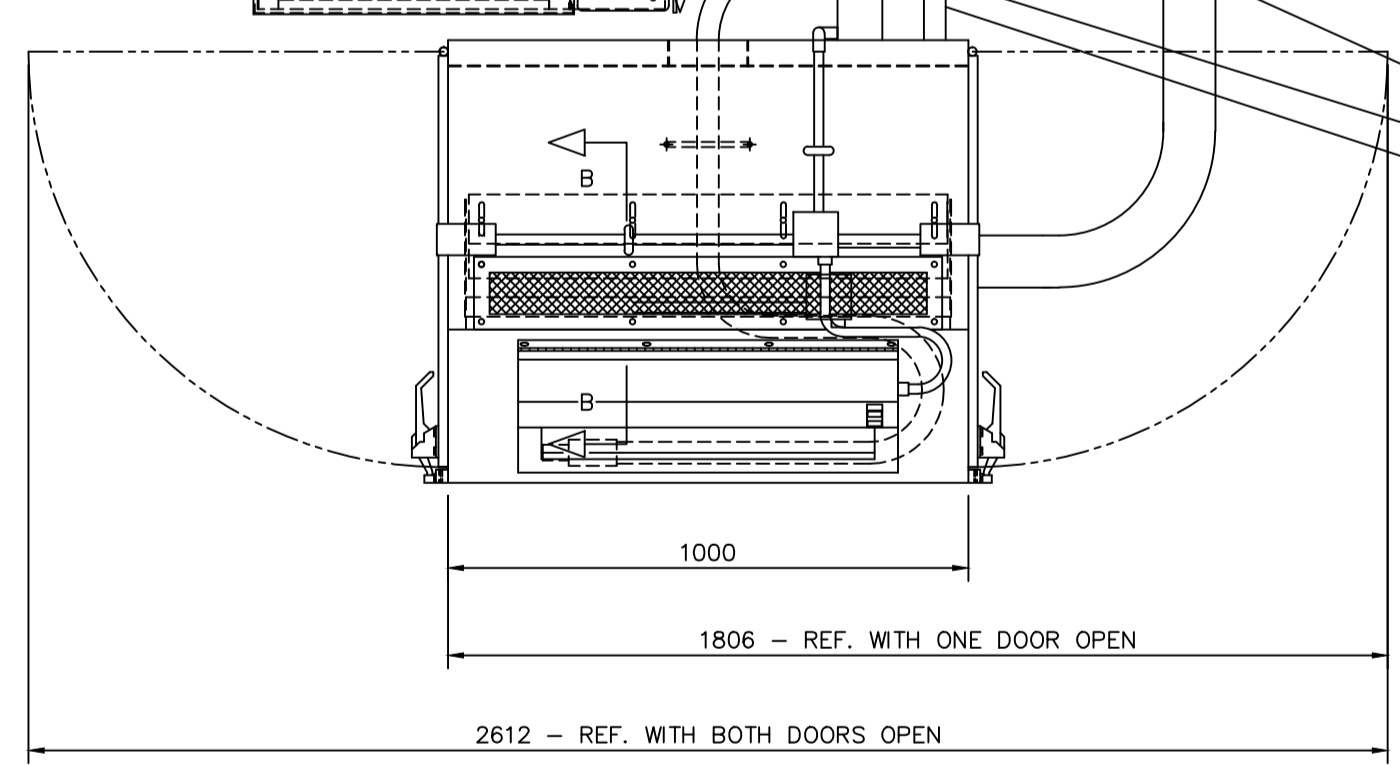


FRONT VIEW

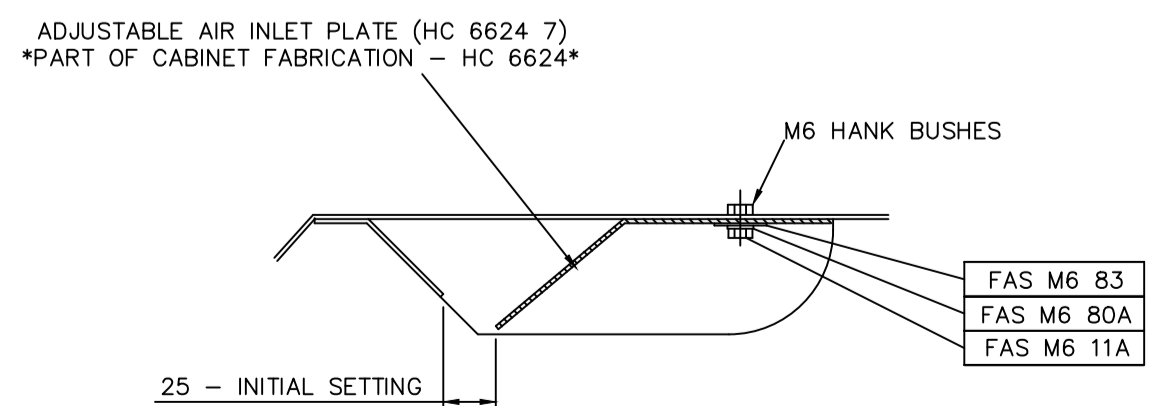
- P208
- HC45641
- HC45642
- XXHOSE7
- A16
- A17
- A18
- KB48
- XXHOSE7
- A16
- A17
- A18
- KB48
- CAB383FGPKIT



SECTION OF HOPPER AT ARROW 'A'
SHOWING EXHAUST INTO HOPPER (CAB1446XK)



PLAN VIEW

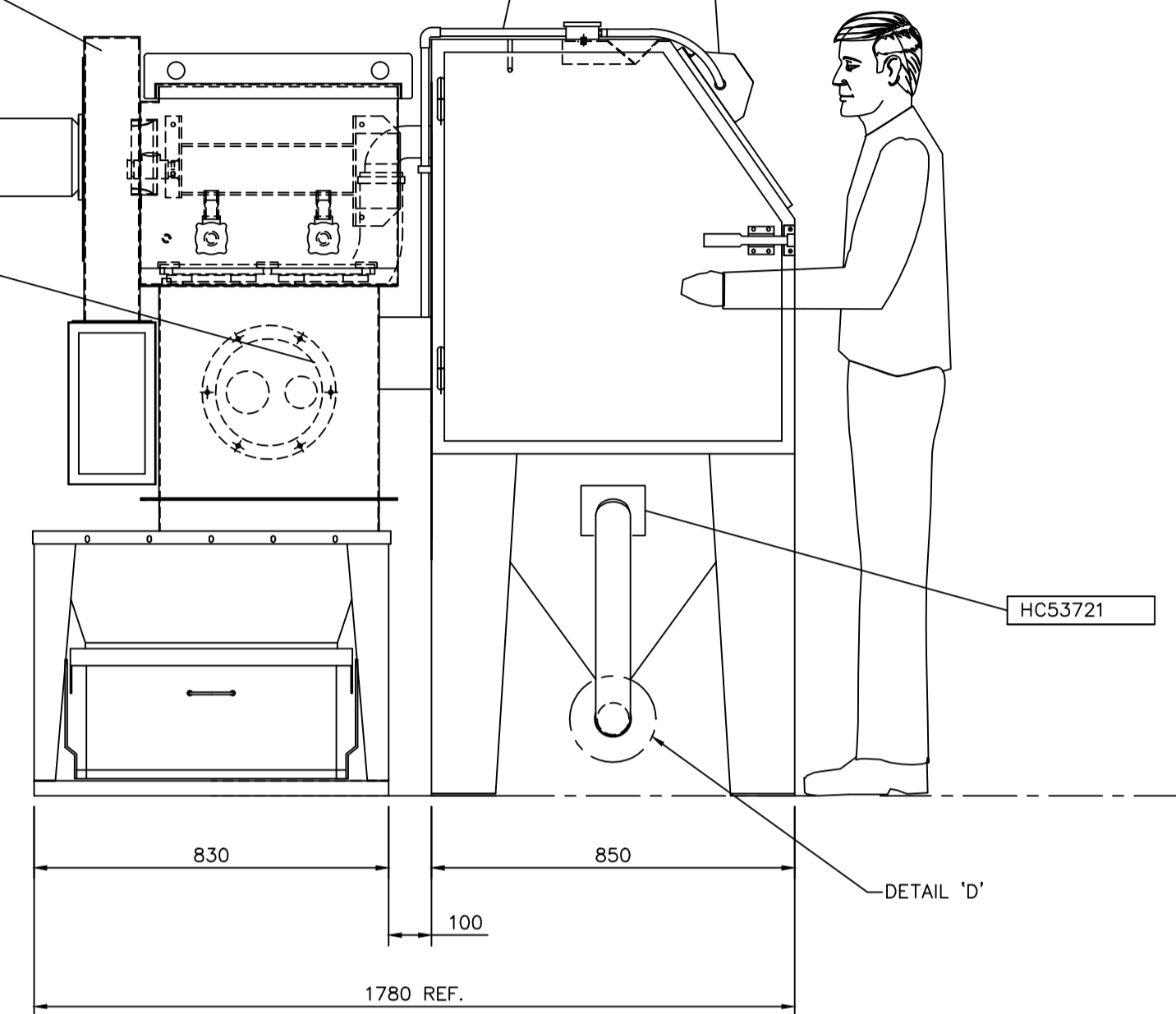


ENLARGED DETAIL ON 'B-B'
SHOWING FITTING OF ADJUSTABLE AIR INLET PLATE (HC 6624 7)

- INDMJC92222
- INDMJC92222EX
- IND10823
- IND10824
- IND10825
- IND13RK5480

FOR IND 1000COMP COMP XMS

- 3" HOSE
- HOSE20
- JC3



SIDE VIEW

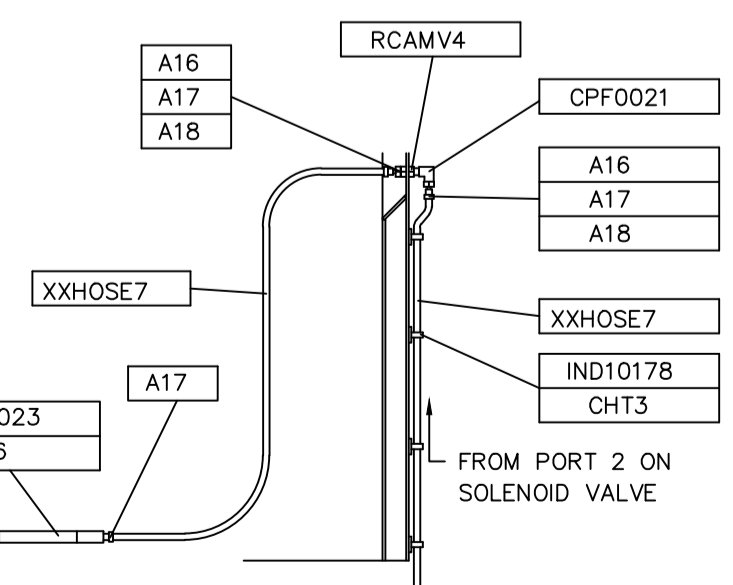
ELECTRICAL REQUIREMENTS
 FAN MOTOR - 1.1kW ~ 415V/3PH/50Hz - 2.35A FLC
 FAN MOTOR - 2.2kW ~ 480V/3PH/60 Hz - 4.4 A FLC (FOR IND 1000COMP XMS)
 LIGHT MODULE - 36W (2 x 18W) ~ 240V/1PH/50Hz
 SOLENOID VALVE - 14VA ~ 240V/1PH/50Hz

AIR REQUIREMENTS
 AIR SUPPLY - 100 PSI - CONSUMPTION @ 100 PSI
 1/8" NOZZLE = 20 CFM
 3/16" NOZZLE = 45 CFM
 1/4" NOZZLE = 81 CFM

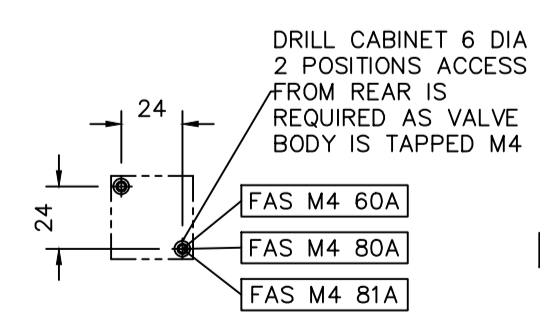
PAINT SPECIFICATION
 CLEMCO PREP & PAINT SPEC - GREEN RAL6003

REFERENCE DRAWINGS
 FOR ELECTRICAL DIAGRAM SEE HC-5264
 FOR ELECTRICAL DIAGRAM SEE HC-5264A - (IND 1000COMP XMS)
 FOR PNEUMATIC DIAGRAM SEE HC-5121
 FOR EXHAUST INTO HOPPER SEE HC-6327

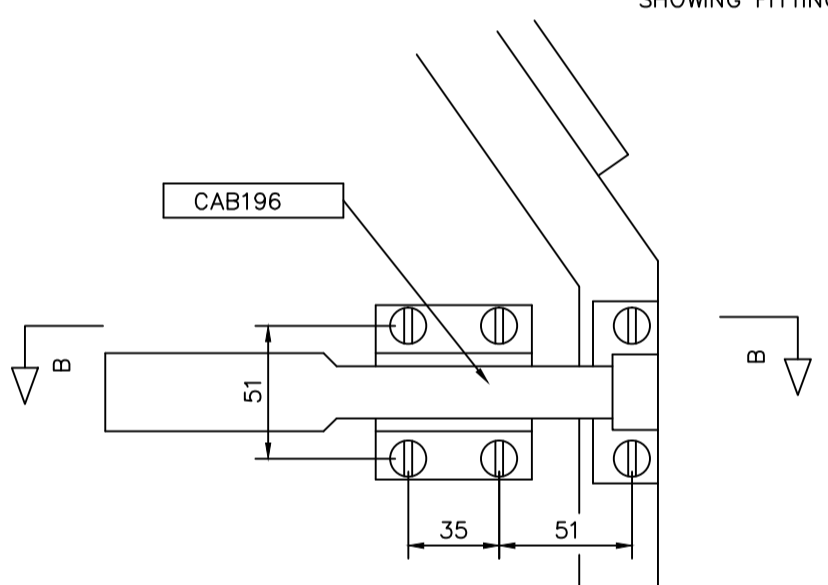
TECHNICAL SPECIFICATION
 1. NOMINAL WORK CHAMBER SIZE = 1000(W) x 800(D) x 950(H)
 2. MAXIMUM WORKTABLE CAPACITY = 100 KG
 3. MINIMUM INTERIOR ILLUMINATION = 500 LUX.
 4. BLOW-OFF GUN SUPPLIED AS STANDARD.
 5. CALIBRATABLE DIAL-AIR REGULATOR SUPPLIED AS STANDARD.
 6. 6 mm THK CLEAR POLISHED GEORGIAN WIRED GLASS TO BS 952 VIEWING WINDOW.
 7. RUBBER CURTAINS TO INTERIOR WALLS.
 8. SAFETY DOOR INTERLOCKS.



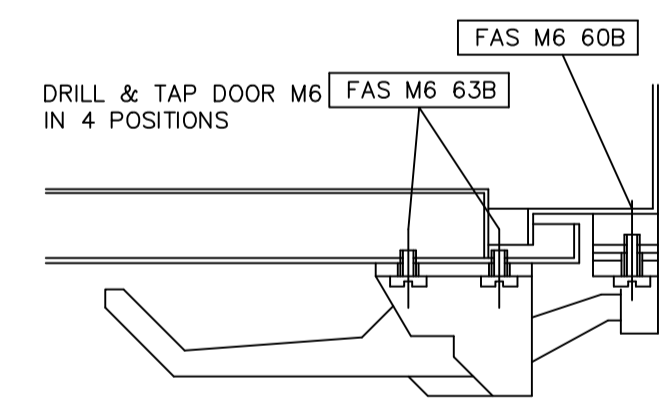
BLOW OFF GUN ASSEMBLY



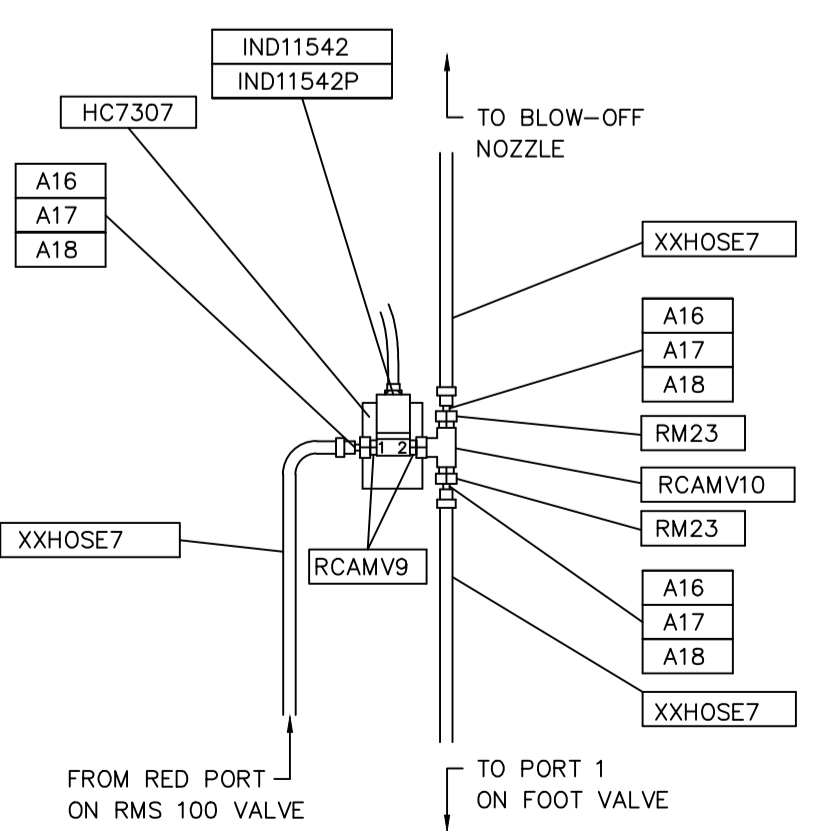
SOLENOID VALVE ASSEMBLY



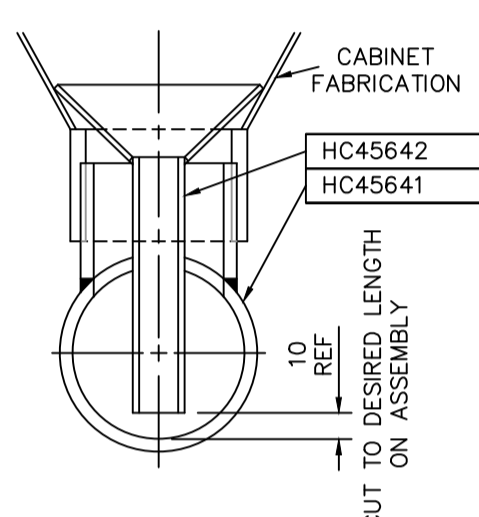
ENLARGED VIEW SHOWING HANDLE



SECTION ON ARROWS 'B-B'



PROD. CODE	DESCRIPTION	PROD. CODE	DESCRIPTION
IND1000SB	1000COMP CABINET SUB-BUILD	13116	ZERO - AIR BLOW OFF NOZZLE
IND10087	CONDUIT - 21mm O/DIA NYLON	A16	TAILPIECE 1/4"
IND10123	SLEEVE/GLOVE ASSEMBLY - PAIR	A17	O CLIP 1/2"
IND10134	INTERLOCK SWITCH - CABINET	A18	UNION NUT BRASS 1/4"
IND10151	ZERO INTERLOCK BRACKET L	CAB16	LIGHT FITTING
IND10168AL	ADAPTOR 21mmO/D x M20 STRAIGHT	CAB196	LATCH - A2 DRAW STYLE (YELLOW)
IND10178	MOUNTING PAD	CAB383FGPKIT	VALVE - 3/8" 5/2 FOOT/SPRING
IND10181	CONDUIT - 20mm O/DIA M.S.	CAB73A	ENCLOSURE 80mm x 82mm x 85mm
IND10182	ELBOW - 20mm O/DIA CONDUIT	CABLD34	ANTI ETCH SCREEN (5 PER SET)
IND10183	COUPLER - 20mm O/DIA CONDUIT	CABLD37	BLAST GATE DAMPER KIT - 3"
IND10184	BUSH - 20mm HEX SHORT MALE	CABLD38	BLAST GATE DAMPER - 100mm (4")
IND10187	SADDLE - 20mm CONDUIT	CABRG14S	REGRADER ASSEMBLY - 14" POT
IND10189	TERMINAL BOX - 75x75x37 M.S.	CHT3	CABLE TIE
IND10217	DUCT COUPLER - 4" DIA MALE	CPF0021	ELBOW 1/4" BR M/F
IND10679	PUSH-BUTTON ASSEMBLY DOUBLE	FAS M4 60A	SCREW - PAN HEAD x 12LG BZP
IND10823	CONDUIT - FLEXIBLE SP20	FAS M4 80A	WASHER - PLATED
IND10824	CONDUIT ADAPTOR STR. SP20/M20	FAS M4 81A	WASHER - SPRING (PLATED)
IND10825	CONDUIT ADAPTOR STR. SW SP20/M20	FAS M5 13	HEX HEAD SETSCREW x 20L
IND10859A	CONTROL PANEL - 1.1kW AUTO-PULSE	FAS M5 20	SOCKET COUNTERSUNK SCREW x 12L
IND11542	VALVE - 1/8" 3/2 SOL/SPR 240V	FAS M5 80	WASHER
IND11542P	PLUG - DN W/1m MOULDED CABLE	FAS M5 90	NUT
IND13RK5480	DUST COLLECTOR - 13 sq/m (480')	FAS M6 11A	HEX HEAD SET SCREW x 16L
INDMJC92222	DUST COLLECTOR - 500cfm 1.1kw.	FAS M6 60B	SCREW - PAN HEAD x 16 LG
INDMJC92222EX	DUST COLLECTOR - 500cfm 1.1kw	FAS M6 63B	SCREW - PAN HEAD x 10LG
	C/W EXPLOSION RELIEF PANEL.	FAS M6 80A	WASHER - PLATED
IND1446SGVCR	BLAST MACHINE - CABINETS	FAS M6 83	MUDWING WASHER
JC3	HOSE CLIP WORM DRIVE 70 - 89	HC45641	ABRASIVE FEED PIPE
JC4	HOSE CLIP WORM DRIVE 95 - 114	HC45642	ABRASIVE CHUTE 20 x 20
KB48	ADAPTOR NIPPLE 1/4" X 3/8"	HC5068	CABINET ARM HOLES - PLASTIC
P208	NIPPLE - 2" x 1" M.I.	HC5132	LIGHT MODULE FABRICATION
RCAMV10	TEE 1/4" BR F	HC5271	SPIGOT - 3" FLANGED
RCAMV4	BULKHEAD ADAPTOR 1/4" C/W NUT	HC5271	SPIGOT - 3" FLANGED x 90 DEG.
RCAMV9	ADAPTOR 1/4" X 1/8" BR	HC7307	SOLENOID FIXING BRACKET
RM23	ADAPTOR 1/4"x1/4"	HOSE13	HOSE - 3" HEAVY DUTY SUCTION
SCR4	SCREW - 10x3/4" S-TAP PAN BZP	HOSE20	HOSE - 3" FLEXIBLE RUBBER STD
XXHOSE7	AIR HOSE 1/4"ID BLUE BARE	HOSE21	HOSE - 4" FLEXIBLE RUBBER STD
		HOSE2A	BLAST HOSE 3/4"x 9m COUPLED



ENLARGED DETAIL 'D'
SHOWING FITTING OF ABRASIVE CHUTE (HC 4564 2)

ITEMS	WEIGHT
CABINET C/W HOSES	250 Kg
DUST COLLECTOR	150 Kg
ANCILLIARIES I.E. : BLAST MACHINE & REGRADER	70 Kg

ISSUE No	MOD. No	DRAWN	CHECKED	DATE
8	5047	A.M.		03.02.2014
7	4118	ML		22.4.04
6	3621	A.M.		29.06.2001
5	3619	A.M.		25.06.2001
4	3480	A.M.		28.11.2000
3	3478	A.M.		27.11.2000
2	3465	A.M.		27.10.2000
1	ORIGINAL	A.M.		20.04.2000

GENERAL NOTES

- 1) MATERIAL: COLD ROLLED MILD STEEL SHEET TO BS 1449 GRADE CR4 OR EQUIVALENT; HOT ROLLED MILD STEEL SECTIONS TO BS 4360 GRADE 43A OR EQUIVALENT. FINISH: SELF-COLOUR FOR PAINTING.
- 2) REMOVE ALL SHARP EDGES AND BURRS.
- 3) JOINTS AND CONSTRUCTION TO SUIT MANUFACTURERS' STANDARD PROCESSES.
- 4) DIMENSIONS AND TOLERANCES TO BS 308.
- 5) MACHINED SURFACES UNLESS STATED.
- 6) THREADS TO BS 3643 6H/6g OR BS 21 UNLESS STATED.
- 7) *
- 8) *
- 9) *

WELDING

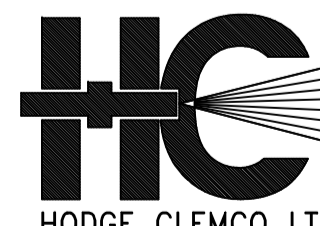
WELDING GENERALLY TO BS 5135 CAT. C & BS 4872 PT. 1 ALL JOINTS & CONNECTIONS OF R.S. SECTIONS CONTINUOUS PLATE TO R.S. SECTION INTERMITTENT 75 WELD 100 GAP
 PLATE THICKNESS 1.6; 2.5; 3; 5; 6; 8; 10 12 PLATE OVER 12
 WELD SIZE 3 6 10 AS SPECIFIED

TOLERANCES

	FABRICATION	MACHINING
HOLE CENTRES	±1mm	±0.25mm
DIAMETER	±3mm	±0.25mm
ANGULAR	±1'	±0.5'
LINEAR	±3mm	±0.5mm

COPYRIGHT

THIS DOCUMENT IS THE PRIVATE & CONFIDENTIAL PROPERTY OF HODGE CLEMCO LIMITED & MUST NOT BE REPRODUCED OR DISCLOSED TO ANY THIRD PARTY WITHOUT PRIOR WRITTEN CONSENT OF THE AFOREMENTIONED COMPANY.



HODGE CLEMCO LIMITED,
 ORGREAVE DRIVE,
 SHEFFIELD,
 S13 9NR.
 TEL. 0114 2540600
 FAX. 0114 2540250

DO NOT SCALE - IF IN DOUBT ASK			
TITLE G.A. IND 1000COMP XM SERIES PRESSURE CABINET SYSTEM			
CUSTOMER		STOCK	
DRAWN	DATE	DIMENSION	SCALE
A.M.	20.04.2000	MM	1:15
DRAWING No		SIZE	
HC-6651		A1	